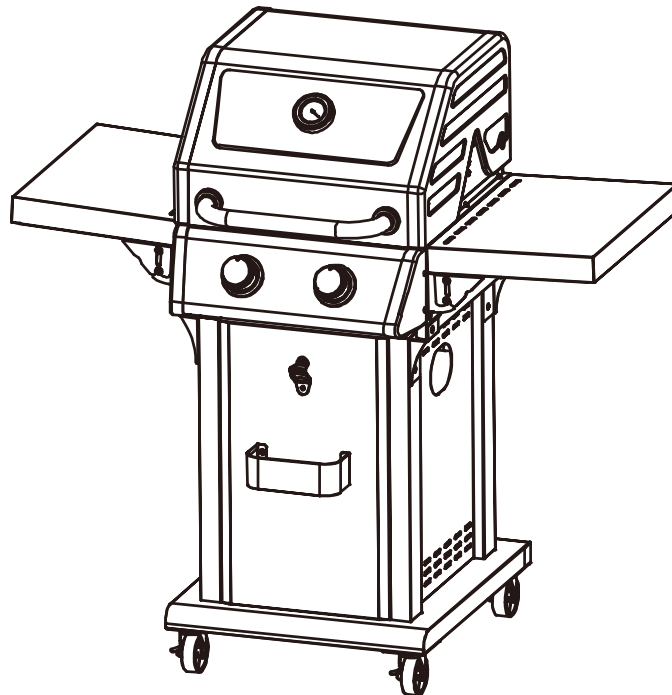




Customer Service  
1-800-618-6798

# ASSEMBLY GUIDE

## Model: GG2006



### Stainless Steel 2-Burner Patio Gas Grill

#### FOR YOUR SAFETY!

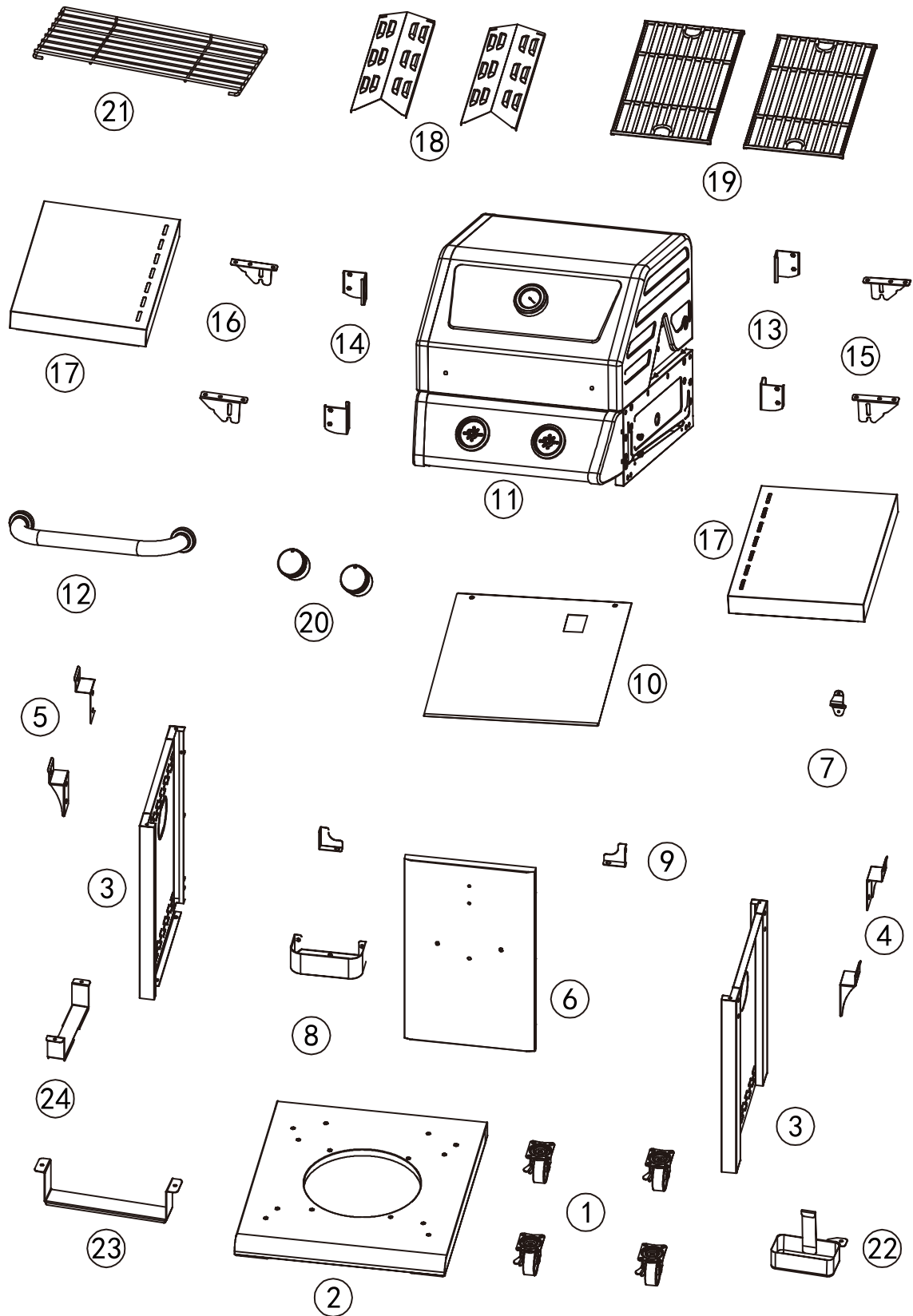
Use outdoors only! Do not use it in a building, garage or any other enclosed areas.  
Read the instructions before assembling and using the appliance.  
DO NOT use the grill unless it is completely assembled and all the parts are securely fastened.  
This grill will become very hot, do not move it during operation. Keep children and pets away.








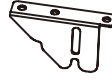





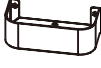








#### CONTACT US FIRST!





This grill has been made to high quality standards. If you have any questions that are not addressed in this manual, or you need parts, please call our customer service hotline or send an email to [service@royalgourmetusa.com](mailto:service@royalgourmetusa.com)

Learn more at:

[www.royalgourmetcorp.com](http://www.royalgourmetcorp.com)



Ref	Description	Illustration	QTY	Ref	Description	Illustration	QTY
1.	Caster WL002(W-52930001)		4	13.	Side shelf brace (R) Z-A1CT1002		2
2.	Bottom shelf H-A1C12001		1	14.	Side shelf brace (L) Z-A1CT1003		2
3.	Side shelf Z-A1C12007		2	15.	Side shelf joint (R) Z-A1CT1005		2
4.	Firebox brace (R) Z-A1C12009		2	16.	Side shelf joint (L) Z-A1CT1004		2
5.	Firebox brace (L) Z-A1C12010		2	17.	Side table ZH-A1CT1001		2
6.	Front board Z-A1C12011		1	18.	Flame tamer W-A3B23005		2
7.	Bottle opener KQ001(W-DXL12012)		1	19.	Cooking grate W-A3B23003		2
8.	Basket Z-A1C12012		1	20.	Knob XN101RGC		2
9.	Cart brace Z-A3B23011		2	21.	Warming rack W-A3B22002		1
10.	Thermal baffle Z-A11C1218		1	22.	Grease cup YB002(W-20130025)		
11.	Firebox		1	23.	Tank base lower Z-A3127		1
12.	Lid handle SS102(W-A3B23008)		1	24.	Tank base upper Z-A3128		1

A	M6x12	59pcs	B		8pcs	C	M4x8	4pcs	D	M5x10	16pcs
											

Before beginning assembly, make sure all parts are present. Compare parts with packaged contents list and diagram above. If any parts are missing or damaged, do not attempt to assemble the products. Contact customer service for replacement parts via telephone or email.



Phillips screwdriver



Wrench

- Estimated assembly time: 40 minutes
- Tools required for assembly:  
Phillips Screwdriver (not included) and Wrench (not included)
- Note: The right and left sides of the grill are designed as if you are facing the front of the grill.

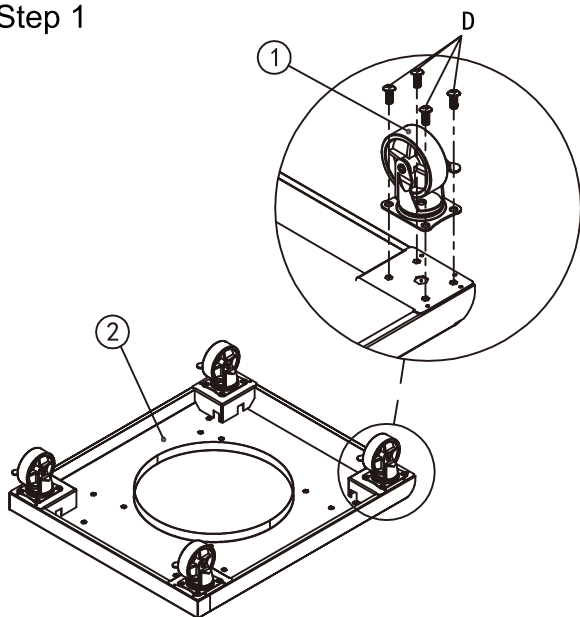


### **CALIFORNIA PROPOSITION 65 WARNING**

1. Fuels used in gas burning appliances and the combustion byproducts of such fuels, can expose you to chemicals including carbon monoxide, which is known to the State of California to cause birth defects or other reproductive harm.
2. This product can expose you to chemicals including nickel, which is known to the State of California to cause cancer. Handling the brass material on this product can expose you to lead, a chemical known to the State of California to cause cancer, birth defects or other reproductive harm.

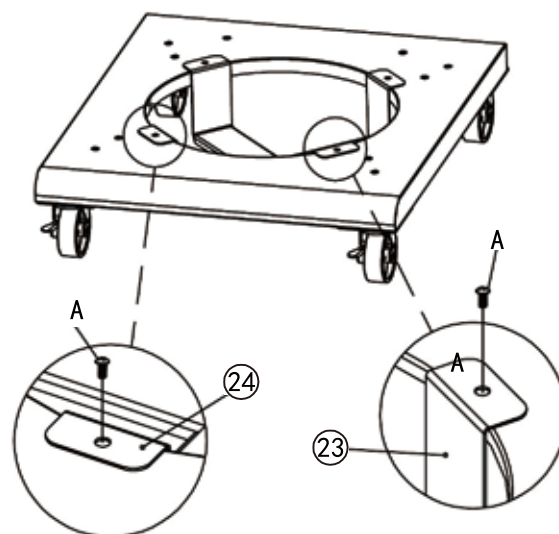
For more information go to: [www.P65Warnings.ca.gov](http://www.P65Warnings.ca.gov)

Step 1



Assemble the casters (1) to bottom shelf (2) with 16 bolts (D).

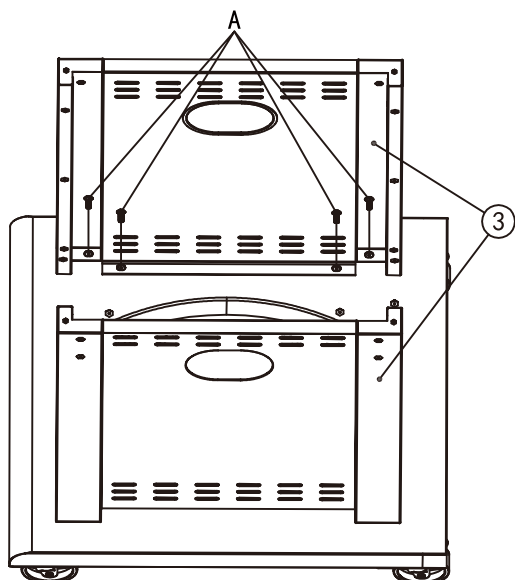
Step 2



Assemble the tank base lower (23) to bottom shelf with 2 bolts (A).

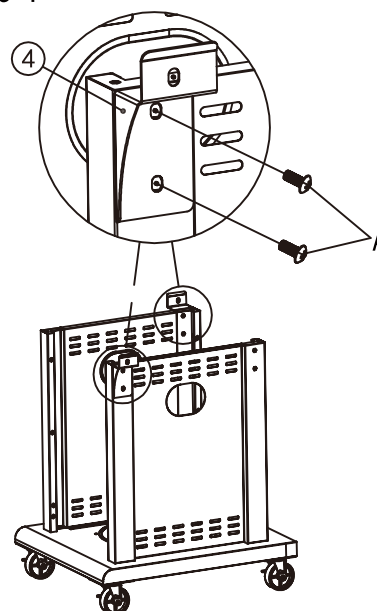
Assemble the tank base upper (24) to bottom shelf with 2 bolts (A).

Step 3



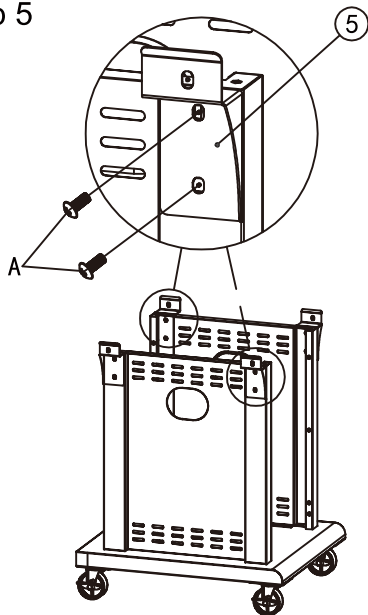
Assemble the side shelves (3) to bottom shelf with 8 bolts (A).

Step 4



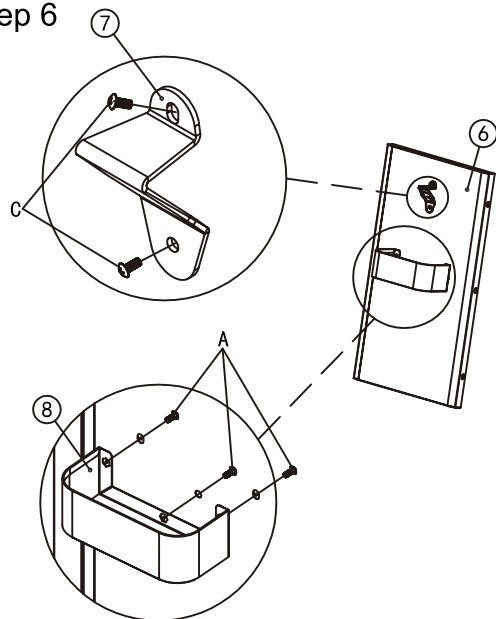
Assemble the firebox braces (R) (4) to the shown positions of side shelves with 4 bolts (A).

Step 5



Assemble the firebox braces (L) (5) to the shown positions of side shelves with 4 bolts (A).

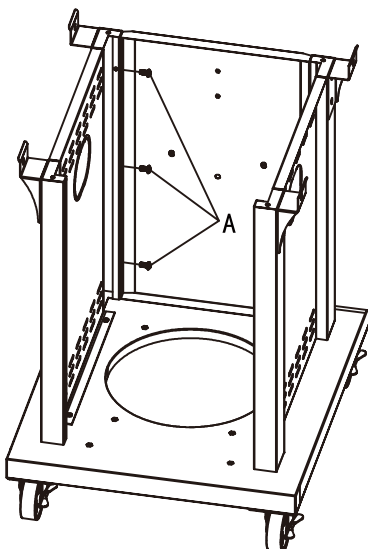
Step 6



Assemble the bottle opener (7) to front board (6) with 2 bolts (C).

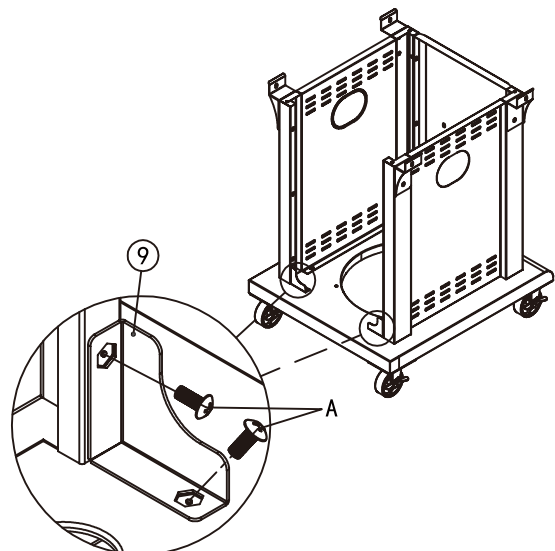
Assemble the basket (8) to front board with 3 bolts (A).

Step 7



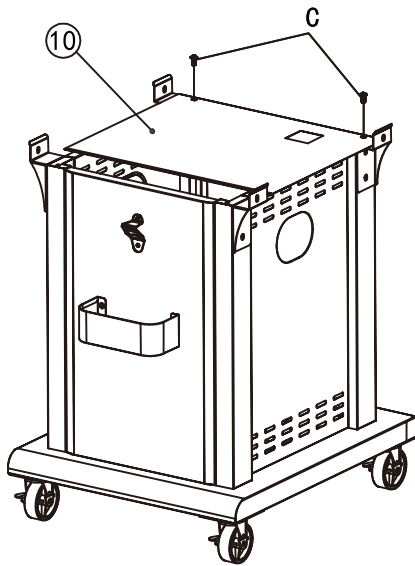
Fasten the front board to side shelves with 6 bolts (A).

Step 8



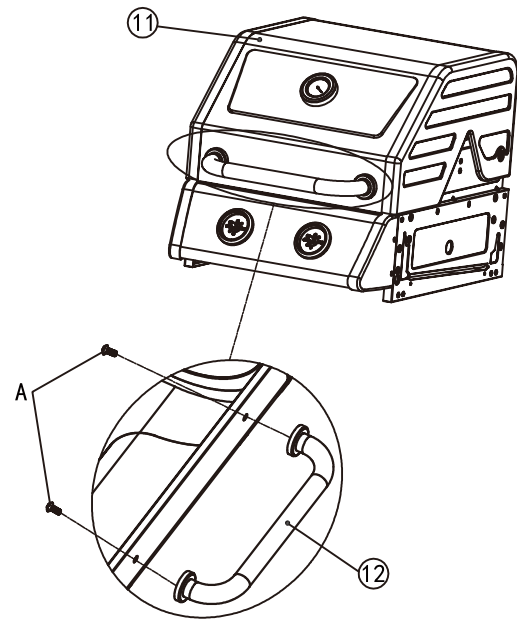
Fasten the cart braces (9) to bottom and side shelves with 4 bolts (A).

Step 9



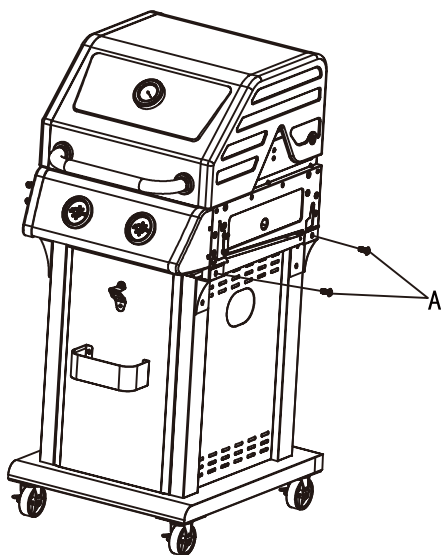
Fasten the thermal baffle (10) to side shelves with 2 bolts (C).

Step 10



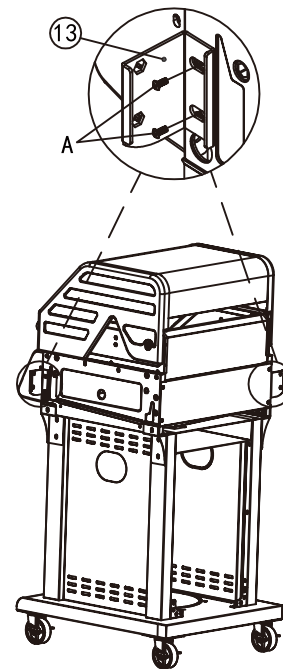
Assemble the lid handle (12) to the lid with 2 bolts (A).

Step 11



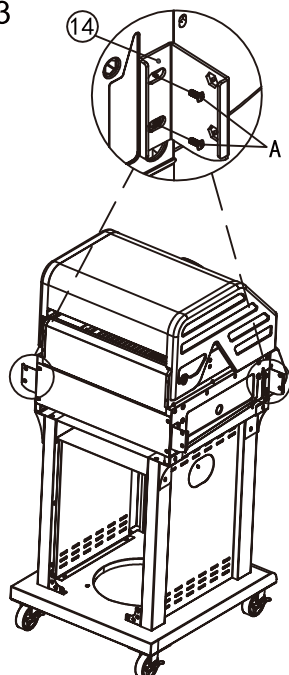
Place the firebox onto the cart, fasten it to braces with 4 bolts (A).

Step 12



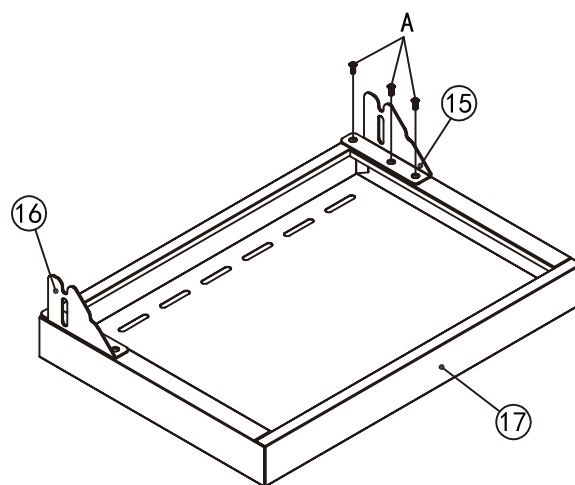
Assemble the side shelf braces (R) (13) to shown positions of firebox with 4 bolts (A).

Step 13



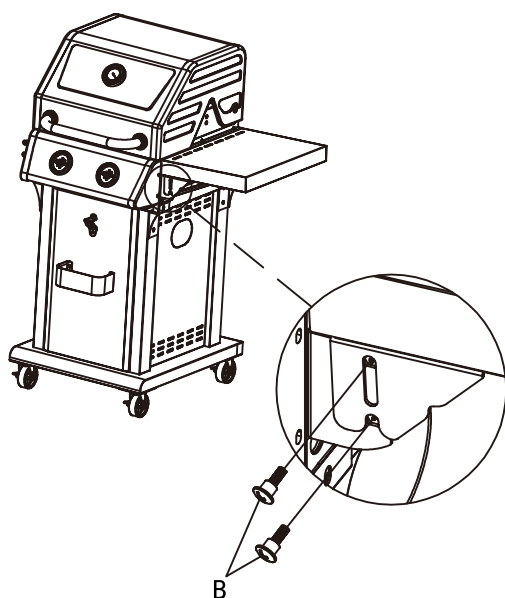
Assemble the side shelf braces (L) (14) to shown positions of firebox with 4 bolts (A).

Step 14



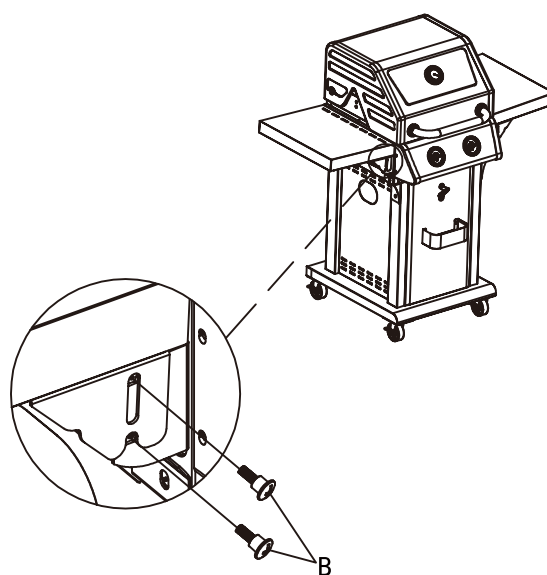
Fasten side shelf joints ( 15,16 ) to side tables (17) with 12 bolts (A).

Step 15



Assemble the side table to braces with 4 bolts (B).

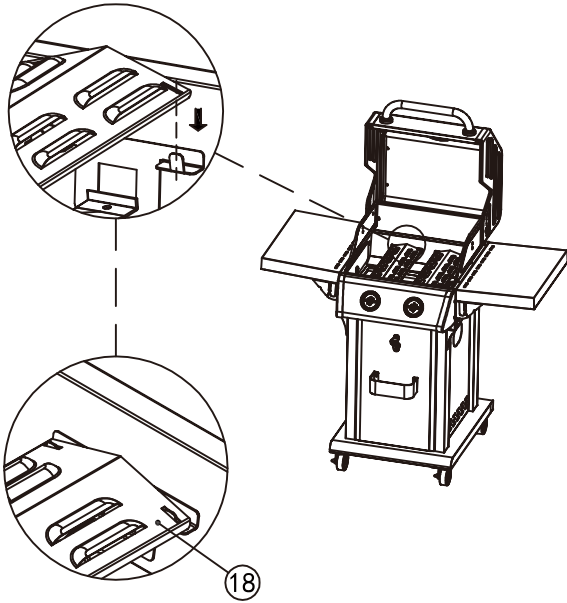
Step 16



Assemble the side table to braces with 4 bolts (B).

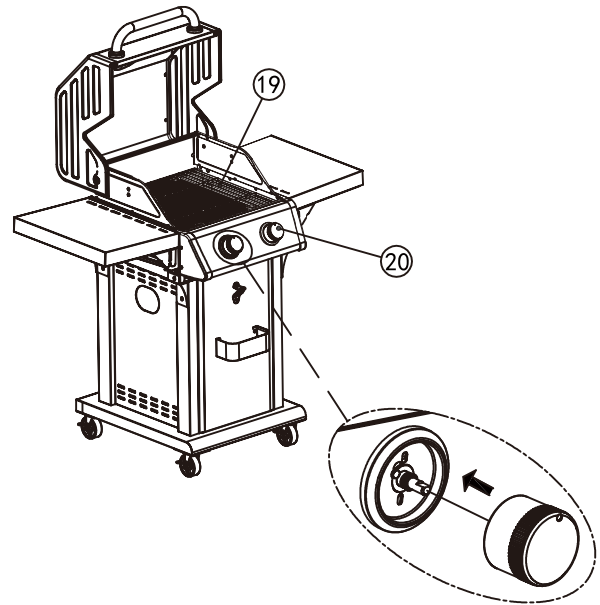


Step 17



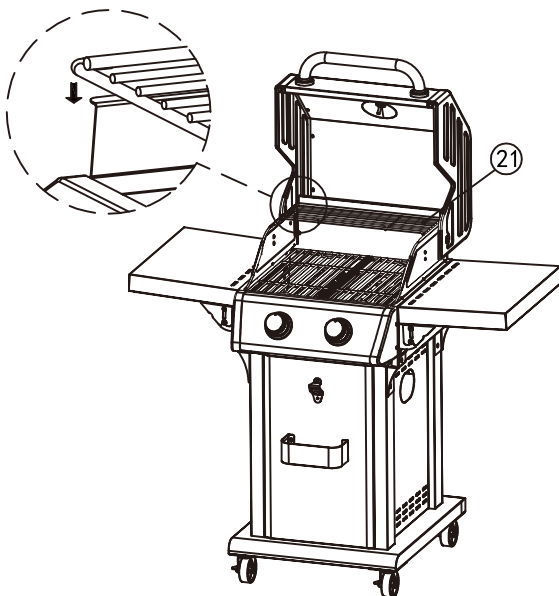
Place the flame tamers (18) into the firebox.

Step 18



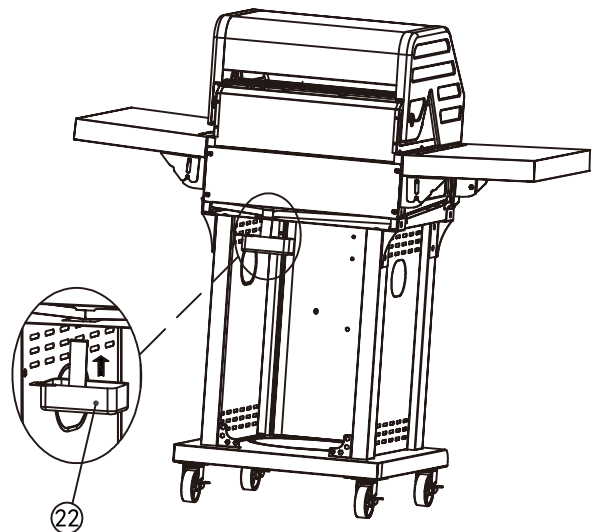
Install the knobs (20) onto the valves on the control panel.  
Place the cooking grates (19) into the firebox.

Step 19



Put the warming rack (21) to the firebox.

Step 20



Attach the grease cup (22) to grease tray.